

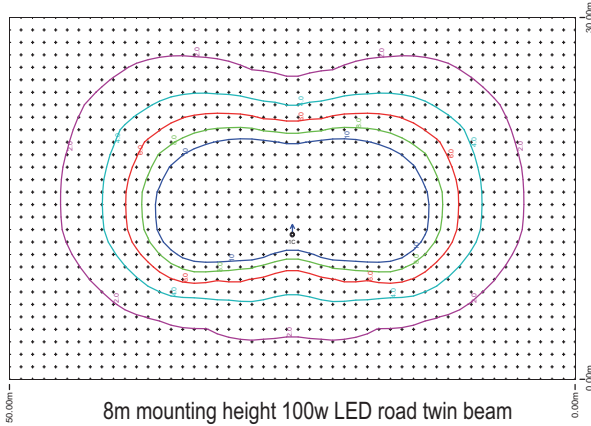
SUGG LED PANEL 100W

SUGG LED PANEL 100W

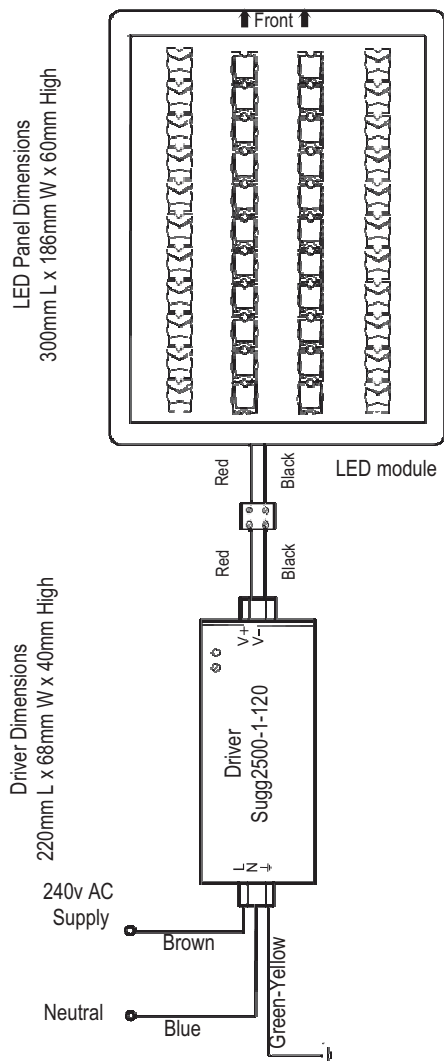
New Installations

The 100w 48 LED panel will fit into a range of Sugg Luminaires offering a performance solution to new and existing schemes, providing the benefits below:

- Fewer luminaires
- Lower energy costs
- Carbon reduction
- Warm colour temperatures
- Improved colour rendering
- Low ongoing maintenance



Sugg Lighting's LED 100w dimming kit consists of a panel of 4 x 12 branches totaling 48 LED's, each with individual lenses. Supplied with a constant current driver (Sugg2500-1-120 dim). The combination of the different lens types provide a combined light distribution solution to suit a wide range of applications. The Sugg options of LED panels ensure that the most suitable distribution and wattage can be installed according to the requirements of the individual installation.



LED Constant Current 4 x 12 LED's		
Number of LEDs	Cree X-TE 4 x 12	48 number
Power Supply	Nominal Current	2.400mA
	LED Nominal Current	600mA
	Maximum Voltage	48v DC
	Nominal Power	93w
Lumen Efficacy	Using the SLD AC Driver	84 lm/W
Light Characteristics	Colour Temperature	4000K
	Luminous Flux	8,400 lm
	Rendering Index	RA >70
Lumen Maintenance	L70 B10 (tc =60°C)	> 70,000 h
Projected Life	TM21 L70 tc=80°C 1000mA	> 36,300 h
Environmental Considerations	Operating Temps	-25°C>+50°C
	Driver Case tc	80°C
	Board Surface tc	90°C
	Humidity (no condensation)	10% > 90%
Driver Circuit Protection	Short Circuit	Auto Reset
	Over Voltage	54 - 60v
	Over Temperature	85 +/- 10%

Existing Schemes

Replacement gear trays can be made to retro fit into existing lanterns providing the benefits below at a reduced unit cost.

- IP65 options for IP54 lanterns
- Improved energy efficiency
- Improved colour rendering
- Carbon reduction
- Warm colour temperatures



Tel: 01293 540111 Fax: 01293 540114 Email: sales@sugglighting.co.uk Web: www.sugglighting.co.uk

Sugg Lighting Ltd, Foundry Lane, Horsham, West Sussex, RH13 5PX England

© Sugg Lighting reserve the right to change the construction of their products without prior consultation. This ensures that product developments and continued improvements are maintained.

