

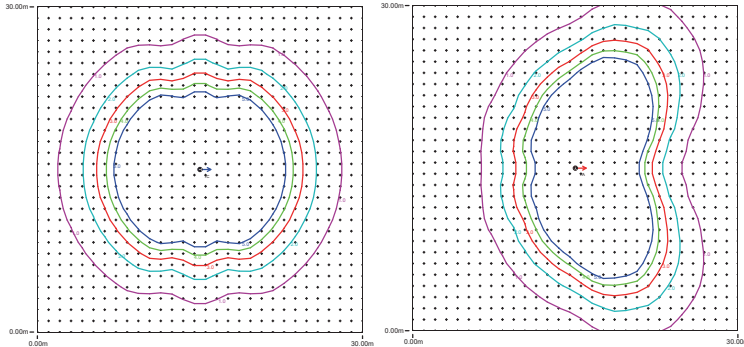
SUGG LED PANEL 60W

SUGG LED PANEL 60W

The 60w panel has two branches 12 x LED's mounted into a panel, which will fit in a wide range of Luminaires offering a performance solution for new & existing schemes, providing the benefits below:

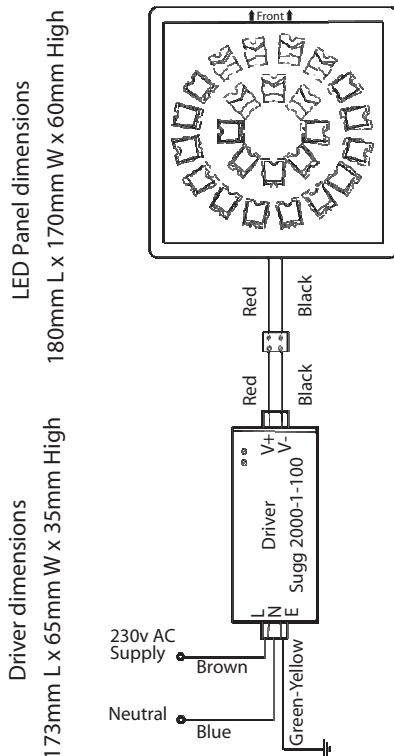
- Fewer luminaires
- Lower energy costs
- Carbon reduction
- Warm colour temperatures
- Improved RA rendering
- Low ongoing maintenance

These distributions are both produced at a 5m mounting height on a 1m grid of 30m x 30m. The left is an area lighting distribution and the right a narrow road distribution.



Sugg lighting 60w LED Panel Kit consists of a 50w 24 x LED module fitted with individual lenses, supplied with a constant current (Sugg2000-1-100) driver. Combined they produce a distribution pattern that creates a variety of solutions to suit a wide range of applications. The dimming unit is supplied with a constant current driver- (Sugg2001-100 Dimming).

LED Constant Current 24 LEDs		
Number of LED	Cree XT-E (2 x 12)	24 number
Power Supply	LED Nom Current	725mA
	Temperature tc	90°C
	Maximum Voltage	48v DC
	Nominal Power	57W
Lumen Efficacy	Using the SLD AC Driver	76 lm/W
Light Characteristics	Colour Temperature	4000K
	Luminous Flux	4,704 lm
	Rendering Index	RA >70
Lumen Maintenance	L70 B10 (tc =60°C)	> 70,000 h
Projected Life	TM21 L70 tc=80°C 1000mA	> 36,000 h
Environmental Considerations	Operating Temps	-25°C>+50°C
	IP Protection Degree	20 or 66
	Driver Surface tc	70°C
	Humidity	20% > 95%
Driver Circuit Protection	Short Circuit	Auto reset
	Over Voltage	54-60V
	Over Temperature	100 +/- 10°C



Existing Schemes

Replacement gear trays can be made to retro fit into existing lanterns providing the benefits below at a reduced unit cost.

- IP65 options for IP54 lanterns
- Improved energy efficiency
- Improved colour rendering RA
- Carbon reduction
- Warm colour temperatures



Tel: 01293 540111 Fax: 01293 540114 Email: sales@sugglighting.co.uk Web: www.sugglighting.co.uk

Sugg Lighting Ltd, Foundry Lane, Horsham, West Sussex, RH13 5PX England

© Sugg Lighting reserve the right to change the construction of their products without prior consultation. This ensures that product developments and continued improvements are maintained.

