

SUGG LED PANEL 150W

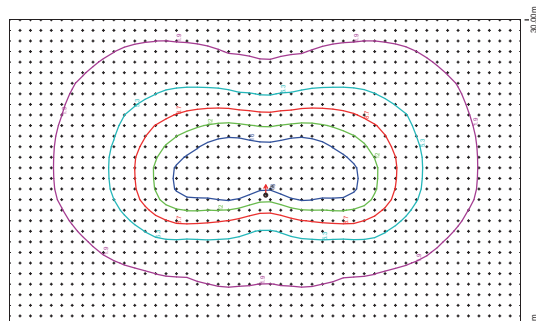
New Installations

The 150w LED 36 LED panel will fit in a range of Sugg luminaires providing a performance solution to new and existing schemes and offering the range of benefits below:

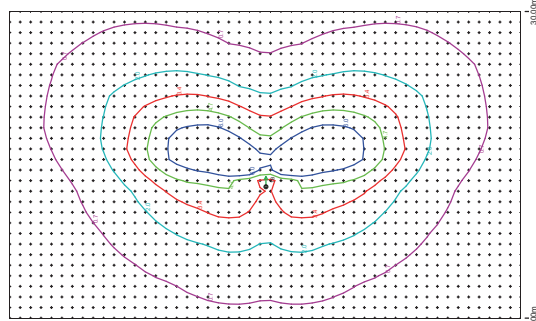
- Fewer luminaires
- Lower energy costs
- Carbon reduction
- Warm colour temperatures
- Improved colour rendering
- Low ongoing maintenance



SUGG LED PANEL 150W



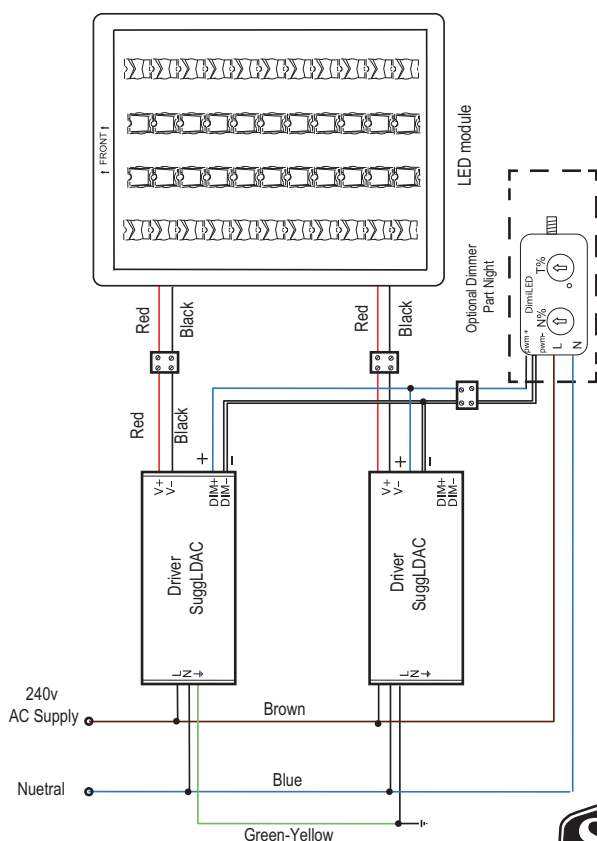
Road Narrow 8m MH 50m x 30m



Road Wide 8m MH 50m x 30m

Sugg Lighting 150w diming kits consist of a 150w 36 x LED module supplied with a constant current driver SL2500 SLi-120 dim. The Sugg 150w module incorporates 36 high efficiency LEDs fitted with individual lenses. The combination of the different lens types provide different light distribution patterns, creating distribution solutions to suit a wide range of applications and ensuring the most suitable distribution is installed according to the characteristics of the installation.

LED Constant Current 2 x 18 LEDs per branch		
Number of LED	Cree X-TE	36 number
Power Supply	Nominal Current	2.600mA
	LED Nominal Current	1300mA
	Maximum Voltage	58v DC
	Nominal Power	141w
Lumen Efficacy	Using the SLD AC Driver	73 lm/w
Light Characteristics	Colour Temperature	4000K
	Luminous Flux	11,000 lm
	Rendering Index	RA >80
Lumen Maintenance	L70 B10 (tc =60°C)	> 50,000 h
Projected Life	TM21 L70 tc=80°C 1000mA	> 42,300 h
Environmental Considerations	Operating Temps	-25°C>+50°C
	LED Nominal Current	600mA
	Board Surface tc	95°C
Circuit Protection	Humidity	10% > 90%
	Short Circuit	Auto reset
	Over Voltage	59-65v
	Over temperature	100 +/- 10%



Existing Schemes

Replacement gear trays can be made to retro fit into existing lanterns providing the benefits below at a reduced unit cost.

- IP65 options for IP54 lanterns
- Improved energy efficiency
- Improved colour rendering
- Carbon reduction
- Warm colour temperatures



Tel: 01293 540111 Fax: 01293 540114 Email: sales@sugglighting.co.uk Web: www.sugglighting.co.uk

Sugg Lighting Ltd, Foundry Lane, Horsham, West Sussex, RH13 5PX England

© Sugg Lighting reserve the right to change the construction of their products without prior consultation. This ensures that product developments and continued improvements are maintained.

