



Product Features

This traditional hexagonal lantern is hand crafted in copper and retains the Victorian Heritage styling of the original. This style of lantern has been in production since the 1880s when these luminaires were some of the largest ever used in street lighting.

The Westminster achieves an IP54 standard of ingress protection and with their superior optical control, meet present day lighting standards across a wide range of applications and lamp combinations. The design of the lantern provides a stylish profile, which has a distinctive profile and scale.

Features

The small, medium and large Westminster, have glazing panels in polycarbonate as standard, with optional acrylic. They are secured to the lantern ribs with foam gaskets and glazing tags, giving the fitting an ingress protection rating of IP54. The hinged door provides easy access for maintenance and cleaning cycles. The lanterns are frog mounted, as standard, these being galvanised and powder coated. The Sugg lantern differs from its competitors as the side ribs are reinforced with stainless steel rods thus spreading the weight and wind loading across the structure of the luminaire which offers enhanced durability in service. A hinged version is also available, in medium, without a door the glazing in this instance is two piece folded for increased durability.

Control Gear

The gear is mounted in the tent canopy either side of the optic and in this way we can accommodate the full range of discharge lamps. Also now available compact fluorescent lamps with gear. The table over gives details relative to the individual lantern.

Options

Mounting Options

Frog mounted, galvanised steel, powder coated black polyester, for 76mm and 89mm shafts. Cast aluminium spigot, powder coated black polyester for 76mm shafts. Both of these options are suitable for column and bracket mounting. Cradle fitted luminaires are also available for wall, column and corner mounting.

Variations

Photocell

Single and two part electronic photocells are available as standard.

Finish variations

Natural polished copper, that will age in the environment to a deep natural patina. Polished and lacquered copper, other RAL colours can be accommodated but this is subject to quantity.

Lantern construction

Can be produced without a door if required, with hinged top with tent stay, both will achieve IP54 rating.

Materials

Lantern

Copper frame and spinning sets. Copper hinges for the access door and two sliding locking mechanisms ensure easy access for re-lamping. Gear and photocell maintenance can be accessed by removing the lantern top, or hinging top upwards.

Glazing

Polycarbonate as standard, or acrylic and glass options.

Frog

Galvanised steel, which is powder coated.



Sugg Lighting Limited

Sussex Manor Business Park

Gatwick Road

Crawley

West Sussex

RH10 9GD

England

Telephone: +44 (0)1293 540 111

Fax: +44 (0)1293 540 114

E-mail: sales@sugglighting.co.uk



Typical Specification

Westminster IP54 **Medium Hinged Top** Lantern: hand crafted octagonal copper frame with stainless steel reinforcing rods, secured in frame corners for improved frog fixings. Glazing, **two-piece folded polycarbonate** glazing panels which are secured in lantern frame by glazing tags and adhesive gasket. The Westminster **medium** lantern measures **550mm wide** across the flats, **1130mm in height** (including the frog). The frog is galvanised steel, then powder coated, and will accept a 76mm column shaft. This is secured to the spigot with three equidistant sets of Allen screws thus ensuring a secure fixing. The lantern is fitted with the **Facet 7 optic** with integral gear, for a **100w HQI T lamp**. The **E27** lampholder is positioned for a tubular lamp in a horizontal position: Lamp not supplied. A **one-piece electronic photocell** is fitted in the tent canopy and is factory sealed to ensure the IP54 rating is not compromised. Manufactured with stainless steel fixtures and fittings. The lantern is painted in **Black RAL 9005**, polyester wet paint, and then stoved to ensure a durable high gloss finish is achieved.

Please note that items highlighted in bold can be changed using the options available.

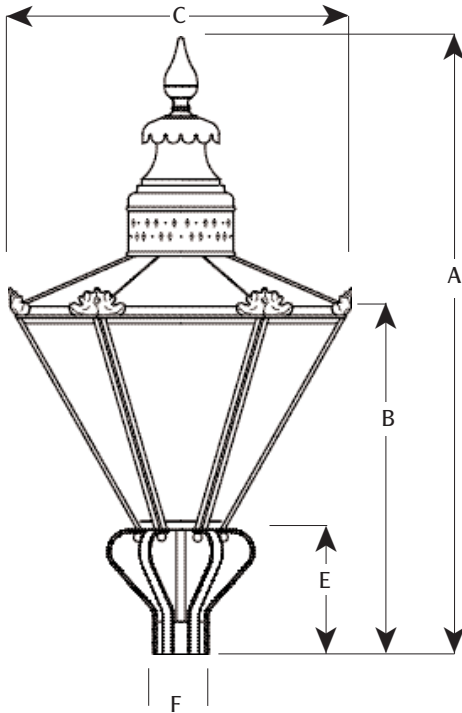
Applications

The application shown is a Victorian Park revitalisation project at Arnot Hill in Nottinghamshire, this project had a variety of design considerations. The park consisted of a number of areas ranging from tree lined roadways, footpaths and open parkland area with a completely refurbished lake area with water features and new recreation areas with children's play equipment.

The lighting requirements were met with the medium Westminster Lantern mounted on the George the IV cast aluminium columns with the Sugg Glass Refractor as shown in the photograph. This combination provided a vertical aspect to the lighting output which provides attractive lighting within the proximity of the column, but also provided a vertical element giving an ability to see over the wide open grassed areas. The roads and pathways were lit with the Sugg Cycle Optic and a horizontal lamp which gave good spacing and an even controlled distribution for personal safety thus reducing the fear of crime for pedestrians who would be navigating the park after dark.



Options



| DIMENSIONS | SMALL | MEDIUM | LARGE | BOXED |
|-------------------------|--------------------|--------------------|--------------------|--------------------|
| A Lantern Height | 1016mm | 1130mm | 1124mm | 940mm |
| B Lamp Height | 593mm | 680mm | 683mm | |
| C Diameter/Width | 356mm | 550mm | 760mm | 610mm |
| E Standard Entry | 76mm | 76mm | 76mm | 610mm |
| F Frog Height | 225mm | 225mm | 225mm | |
| Windage | 0.16m ² | 0.25m ² | 0.40m ² | 0.35m ³ |
| Weight | 7kg | 10kg | 15kg | 16.5kg |

| OPTICS | SMALL | MEDIUM | LARGE |
|-----------------------------|-------|--------|-------|
| Facet Twin Beam | X | ✓ | ✓ |
| Hellux Sm Twin Beam | X | ✓ | ✓ |
| Refractor | ✓ | ✓ | ✓ |
| E27 Lamp Holder only | ✓ | ✓ | ✓ |
| E40 Lamp Holder only | X | ✓ | ✓ |

| GLAZING OPTIONS | SMALL | MEDIUM | LARGE |
|----------------------|-------|--------|-------|
| Acrylic | ✓ | ✓ | ✓ |
| Polycarbonate | ✓ | ✓ | ✓ |
| Opal Acrylic | ✓ | ✓ | ✓ |
| Glass Panels | ✓ | ✓ | ✓ |

| WATTAGES & LAMP TYPES | 35W | 42W | 50W | 70W | 80W | 100W | 125W | 150W |
|-----------------------|---------|-----|-----|----------|-----|------|---------|------|
| HPS | | | ✓✓✓ | ✓✓✓ | | ✓✓✓ | | ✓✓ |
| HQI | ✓✓✓ | | ✓✓✓ | ✓✓✓ | | ✓✓✓ | | ✓✓ |
| CDM | ✓✓✓ | | | ✓✓✓ | | | | ✓✓✓ |
| MBF | | | ✓✓✓ | | ✓✓✓ | | ✓✓✓ | |
| CFL | | ✓✓✓ | | | | | | |
| KEY | ✓ Small | | | ✓ Medium | | | ✓ Large | |