



Product Features

The Rochester range of decorative pendant luminaires recreate the traditional look of railway lanterns of the past. Manufactured from a combination of aluminium spinnings with an aluminium cast top section the fittings are suitable for both traditional and contemporary applications. The luminaire has an IP rating of IP65. The Rochester large is fitted with a Facet 7 optic and has clear polycarbonate glazing as standard. The Rochester medium is fitted with the twin beam optic; all sizes are ideally scaled for 5 to 8m column applications, for decorative and amenity lighting. This fitting is widely used and, with a variety of pendant brackets, can offer a performance solution as the unobstructed glazing improves the units light output performance and lighting distribution.

Features

The Rochester luminaire has an easy fit pendant fitting. The glazing is held by two stainless steel retaining couplings that, when released, hinge down to reveal the optic which is then available for relamping. The main termination for the luminaire is provided in a drop down top section to allow easy termination of the incoming supply with a glanded feed into the base section of the luminaire for the gear. The lantern is supplied as standard as a pendant luminaire in three sizes and will cover a variety of mounting heights and lamp wattages.

Control Gear

The gear is housed in the main luminaire body with the exception of electronic gear, which can be accommodated in the top void away from the lamp, as the temperature in the top section of the luminaire is below the required temperatures of electronic gear packages. All gear is class I wired and a full range of discharge gear can be incorporated within the luminaires. Photocells are fitted into the top casting; single and two-piece cells are available as standard.

Options

Mounting Options

The Rochester fittings are designed to be pendant luminaires with an easy fit coupling to ease installation and ensure the correct orientation of the optic, to the road, is achieved without cable twist. There is also an upright version of this range of luminaires allowing a post top fixing, please refer to additional data sheet.

Variations

Photo cells

Single and two part electronic photocells are available as standard and should be factory fitted to maintain the ingress rating of the fitting.

Finish variations

The luminaire canopy and top casting is supplied Black Ral 9005. Other colours are available but may be subject to quantity, and prices may differ. The underside of the luminaire brim is painted white to improve appearance.

Luminaire construction

Aluminium cast top with easy fit coupling to ensure adjustment and security to the column bracket. Aluminium spinnings have recesses for sealing gaskets for the glazing.

Materials

Luminaire

Aluminium cast top providing additional strength to the luminaire, with a removable gear and optic tray.

Glazing

This unit is fitted with clear polycarbonate glazing, sealed by compression from the hinged brim.



Sugg Lighting Limited



Typical Specification

Rochester **Medium** IP65 pendant luminaire: fitted with the easy fit coupling for securing to the bracket with a termination for the incoming supply in the upper section of the luminaire. The luminaire is fitted with Clear **polycarbonate** glazing and is finished in **Black RAL 9005**. It measures **590mm** in diameter and **680mm** in height. The fitting is supplied with gaskets and glands to ensure that the ingress rating is maintained and the luminaire is fitted with the **Twin Beam** optic. Supplied with a **70w HPS T electronic** gear package located in the **top section** of the luminaire to ensure low temperature running of the gear package, and an **E40** lampholder positioned for a horizontal tubular clear lamp: Lamp not supplied. A **One-piece electronic** photocell is fitted to the top of the luminaire enclosure and is factory sealed to ensure the ingress protection of the fitting is not compromised. The luminaire is constructed from aluminium with all fixtures and fittings being galvanised or stainless steel.

Please note that items highlighted in **bold** should be changed using the options available.

Applications

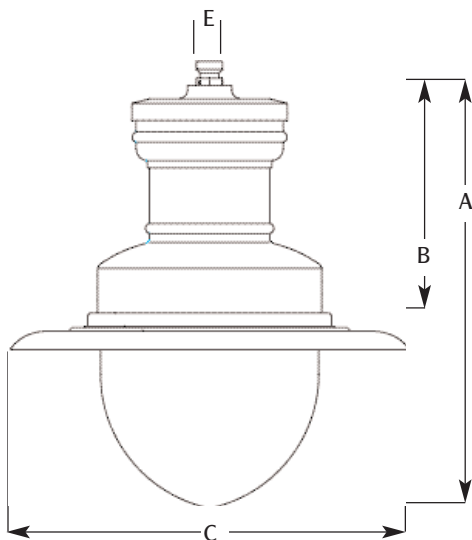
The Rochester large luminaires fitted with the Facet 7 optic have been used to light Reigate Town Centre. These fittings have been installed on special wall brackets mounted at 8m on surrounding buildings; in this case columns were not specified in order to minimise pavement clutter. The luminaires provide the lighting to current British Standards for the road and foot path areas both for vehicles and pedestrians.

The clear unobstructed glazing in combination with the Facet 7 optic provides a lighting solution and enhances the overall appearance of the town centre.

The decorative brackets used on this project had sufficient outreach to meet the lighting design standards, and included decorative embellishments between the radius section of the bracket and the four point fixing to the wall. These units were galvanised and powder coated to match the lantern and provide a co-ordinated combination and a durable finish.



Options



WATTAGES & LAMP TYPES	35W	42W	50W	70W	80W	100W	125W	150W	250W
HPS			✓✓✓	✓✓		✓✓		✓	✓
HQI			✓✓✓	✓✓		✓✓		✓✓	✓
CDM	✓✓✓			✓✓		✓✓		✓✓	
MBF			✓✓✓		✓✓		✓✓		
CFL		✓✓✓							
KEY	✓ Small			✓ Medium			✓ Large		

OPTICS	SMALL	MEDIUM	LARGE
Facet Twin Beam	X	X	✓
Hellux Sm Twin Beam	X	✓	X
Refractor	✓	✓	✓
E27 Lamp Holder only	✓	✓	✓
E40 Lamp Holder only	X	X	✓

Easy fit adaptor couplings are available for existing bracketry. Bracket dimensions are required.

DIMENSIONS	SMALL	MEDIUM	LARGE	BOXED
A Lantern Height	430mm	680mm	770mm	970mm
B Lamp Height	260mm	360mm	435mm	780mm
C Diameter/Width	360mm	590mm	740mm	780mm
E Easy Fit Entry	25mm	39mm	39mm	
Windage Area	0.07m ²	0.157m ³	0.23m ²	0.59 ³
Weight	4kg	7kg	11kg	14kg

GLAZING OPTIONS	SMALL	MEDIUM	LARGE
Acrylic	✓	✓	✓
Polycarbonate	✓	✓	✓
Opal Acrylic	✓	✓	✓
Glass Panels	X	X	X
Flat Glass Only	X	X	X