

CASTLE FLAMBEAUX



Product Features

The Castle Wall Mounted Flambeaux provides a decorative traditional fire brand. Seen here on a castle entrance it offers a truly historic appearance both in the day time and after dark. The Castle wall bracket is suitable for a range of historic buildings where a large torch is required and with the controller mounted remote it ensures that the appearance of the unit is more authentic.

Features

The fabricated fire basket is made from steel. Within the basket is the burner and anti roll over plate which are all housed within an aluminium spinning. Remote positioning for the controller makes the wall unit more in keeping with its surroundings.

Control Gear

The Unibox 008 needs to be mounted in a dry location up to 10M from the burner head. The wiring loom is supplied pre-terminated, with plugs and sockets, to make the connection required to run the unit. The burner is ignited by two hot surface ignitors and controlled by two thermocouples that feed back to the Unibox for safe flame failure operation.

Tips - Safety

The flambeaux appliance is designed for EXTERNAL USE ONLY. The Flambeaux is an approved gas appliance and must therefore be installed in accordance with the 'Rules in Force' and manufacturer's instructions by a competent person to the current edition of the Gas Safety Regulations and the IEE Wiring Regulations. The Flambeaux is supplied with a set of installation instructions which should be followed closely. Each Flambeaux must have its own Unibox controller and gas solenoid valve.

Options

Mounting Options

The large Castle has a projection bracket with two flat plates each containing four fixing points. The arms are pre cabled with the gas supply running through the fitting for ease of installation. The unibox controller is mounted remote from the fitting.

Variations

Gas Types

The units are approved to run on both natural and LPG gases. The correct pressures should be achieved to ensure a reliable operation and good flame picture. All other gas appliances must be considered when sizing the pipes and meters for these units.

Finish Variations

As standard the head and bracket are supplied in black RAL 9005. All steel parts are fully welded and galvanised for a durable finish. Other RAL colours are available upon request.

Flambeaux Construction

The head, brackets and fixing straps are manufactured from steel, all are galvanised then painted black RAL 9005.

Materials

Torch

Fabricated steel basket with a spun aluminium torch and bowl; polished copper is also available upon request.

Burner

Stainless steel burner can and anti-rollover plate complete with brass jets and aeration chambers.

© Sugg Lighting reserve the right to change the construction of their products without prior consultation. This ensures that product developments and continued improvements are maintained.



Sugg Lighting Limited

Sussex Manor Business Park

Gatwick Road

Crawley

West Sussex

RH10 9GD

England

Telephone: +44 (0)1293 540 111

Fax: +44 (0)1293 540 114

E-mail: sales@sugglighting.co.uk

www.sugglighting.co.uk



2008

Typical Specification

The Castle Wall Mounted Flambeaux head will measure 570mm in diameter and 1600mm in height, with an outreach projection of 1M. It is supplied in a **Black RAL 9005** powder finish. The Flambeaux will be supplied with a **50,000 btu** medium burner assembly comprising of 2 x HSI's and 2 x TC's. The Castle Flambeaux will be supplied jetted and aerated for **Natural** gas. The unit will require a gas supply of **50,000 btu's** of gas per hour at a regulated pressure of **16mbar +/-1**. Also a fused **240v AC -5A** supply is required to the Unibox controller, for control switching. This can run via a time clock but will require independent isolation. The gas solenoid valve is located within the supply pipes, a **10M** wiring loom will be supplied with a socket fitted to the burner end and a set of smaller plugs for connection to the Unibox. (Please specify loom length when ordering as the Unibox is remote on the Castle Flambeaux) The Unibox controller, and the gas solenoid valve, must be mounted no further than **10M** from the flambeaux and ideally the solenoid should be located close to the burner to ensure the minimum of gas is left within the pipe work when switched off. It is advisable to fit the Unibox within a water tight enclosure to ensure a reliable operation.

Please note that items highlighted in bold can be changed using the options available.

Applications

The Castle Wall Mounted Flambeaux shown here on the entrance to a castle replicates the original fire brands and torches that were evident before gas was available. This Castle Flambeaux is designed to have remote unibox controllers and care should be taken when locating these as they need to be kept dry.

Note: These appliances are available for the following gas types.

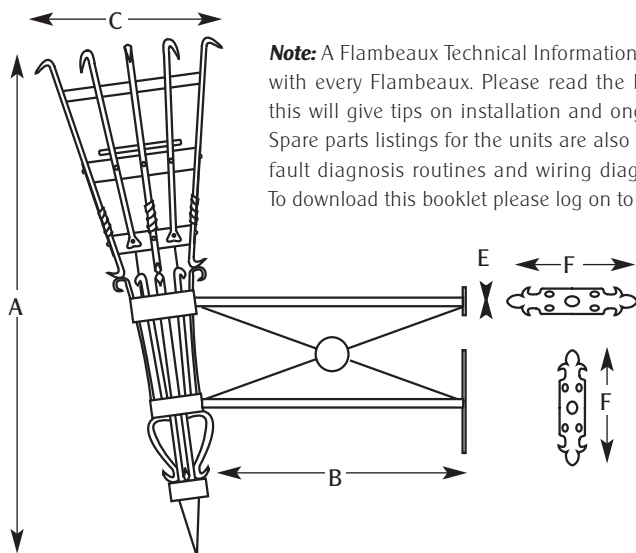
Natural gas, category I2H (20)	Austria (AT), Denmark (DK), Finland (i), Greece (GR), Italy (IT) Norway (NO), Portugal (PT), Spain (ES), Sweden (SE), Switzerland (CH0).
Natural gas, category I2E (20)	Germany (DE), Luxembourg (LU).
Natural gas, category I2Er (20/25)	France (FR).
Natural gas, category I2E+ (20/25)	Belgium (BE).
Propane gas, category I3P (37)	France (FR), Belgium (BE), Spain (ES), Switzerland (CH), Portugal (PT).



This appliance has been assessed by a notified body and shown to meet the Essential Requirements of the European Gas Appliance Directive.

(Extra care should be taken with propane as additional ventilation may be required).

Options



Note: A Flambeaux Technical Information booklet is supplied with every Flambeaux. Please read the booklet carefully as this will give tips on installation and ongoing maintenance. Spare parts listings for the units are also included along with fault diagnosis routines and wiring diagrams for engineers. To download this booklet please log on to our web site

BURNER NAME	Med 30	Med. Dble.50
Approx Flame Height mm	425	600
Burner Dia. mm	115	115
Input Btu/h	30,000	50,000
Input kW	8.8	14.6

Natural Gas		
Aeration	1x3.175 mm	1x6.35 mm
Gas Rate f ³ /h	29.5	49.2
Gas Rate m ³ /h	0.81	1.39
Bnr.Press mbar	18.5+/-1	16+/-1

Propane LPG		
Aeration	2x6.35 mm	2x6.35 mm
Gas Rate f ³ /h	12	20
Gas Rate m ³ /h	0.34	0.57
Wt of LPG lbs/h	1.4	2.33
Wt of LPG kgs/h	0.64	1.07
Bnr.Press mbar	36+/-1	36+/-1

DIMENSIONS	Castle	Boxed
A Overall Height	1600mm	1800mm
B Outreach	1000mm	1250mm
C Diameter/Width	570mm	600mm
E Tube Diameter	42mm	
F Flange Diameter	750 x 400mm	
Windage Area	0.45m ²	1.35m ³
Weight	47kg	50kg

Power	110v	240v	AC
Loom	3M	5M	10M