

# UPRIGHT TUNBRIDGE



## Product Features

The Upright Tunbridge range of post top luminaires recreates the traditional look of the railway lanterns of the past. Manufactured from a combination of aluminium spinnings with an aluminium cast top section, the fittings are suitable for traditional applications. The luminaire has an IP65 rating. The Upright Tunbridge medium is fitted with the twin beam optic; all sizes are ideally scaled for 5m to 6m column applications, for decorative and amenity lighting. The clear unobstructed glazing profiles offer a solution as the output performance and lighting distributions can be varied by the choice of optic.

### Features

The Upright Tunbridge luminaire has a cast post top section with two arms to support the lantern. The glazing is held by three stainless steel retaining couplings, that when released lower the brim and optic tray down for relamping.

### Control Gear

The main termination for the luminaire is provided inside the main spinning to allow easy termination of the incoming supply, with a glanded feed into the arm section of the support arms. The lantern is supplied as standard as a post top luminaire in three sizes and will cover a variety of mounting heights and lamp wattages.

## Options

### Mounting Options

The Upright Tunbridge fittings are designed to be post top luminaires with cast coupling to ease installation and ensure the correct orientation of the optic, to the road, is achieved. There are also pendant versions of this range.

### Variations

#### Photo cells

Single and two part electronic photocells are available as standard and should be factory fitted to maintain the ingress rating of the fitting.

#### Finish variations

The luminaire canopy and top casting are supplied Black Ral 9005. Other colours are available but may be subject to quantity, and prices may differ. The underside of the luminaire brim is painted white to improve the appearance from below.

#### Luminaire construction

Aluminium cast top with a turned decorative finial to ensure IP65 rating is maintained. The aluminium spinnings have recesses for sealing gaskets, for the glazing.

## Materials

#### Luminaire

Aluminium cast top providing additional strength to the luminaire, with a removable gear and optic tray.

#### Glazing

This unit is fitted with clear polycarbonate glazing, sealed by compression from the three screw compression fixings fitted in the brim. The gear is housed in the main luminaire body. All gear is class I wired and a full range of discharge gear can be incorporated within the luminaires. The single or two-piece electronic photocells are fitted into the top casting.

© Sugg Lighting reserve the right to change the construction of their products without prior consultation. This ensures that product developments and continued improvements are maintained.



Sugg Lighting Limited

Sussex Manor Business Park

Gatwick Road

Crawley

West Sussex

RH10 9GD

England

Telephone: +44 (0)1293 540 111

Fax: +44 (0)1293 540 114

E-mail: [sales@sugglighting.co.uk](mailto:sales@sugglighting.co.uk)

[www.sugglighting.co.uk](http://www.sugglighting.co.uk)



2005

# UPRIGHT TUNBRIDGE

## Typical Specification

Upright Tunbridge **Medium** IP65 pendant luminaire fitted with post top coupling for securing to the column shaft, with a termination for the incoming supply in the upper section of the luminaire. The luminaire is fitted with **clear polycarbonate** glazing and is finished in **Black RAL 9005**. It measures **584mm** in diameter and **603mm** in height. The fitting is supplied with gaskets and glands to ensure that the ingress rating is maintained and the luminaire is fitted with the **Twin Beam** optic. Supplied with a **70W HPS T** gear package located in the **top section** of the luminaire and an E27 lampholder positioned for a horizontal tubular clear lamp: Lamp not supplied. A one-piece electronic photocell is fitted to the top of the luminaire enclosure which is factory sealed to ensure the ingress protection of the fitting is not compromised. The luminaire is constructed from aluminium with all fixtures and fittings being galvanised or stainless steel.

Please note that items highlighted in bold can be changed using the options available.

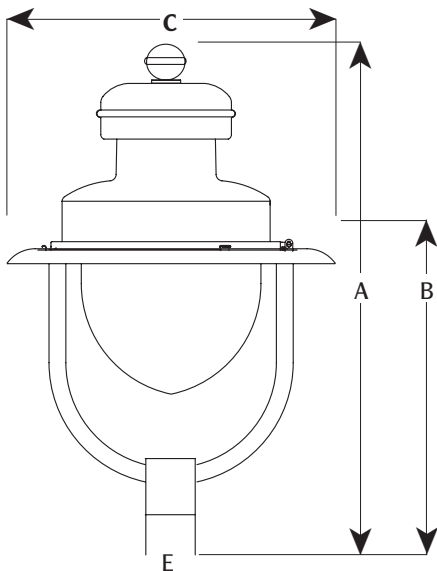
## Applications

The Upright Tunbridge lantern on an Evesham cast iron embellished tubular heavy duty column were specified for the 'Powys River Walk' scheme for a number of reasons. The first being the exacting requirements to meet the needs of the residents who's properties border the river, and the new footpath. This was to ensure the footpath was lit to expectation without any obtrusive light spilling into the gardens. Secondly the conservation requirements to ensure that light did not stray onto the river banks and water as the area has otters who would be bothered by any lighting on the margins of the river. The tight controls offered by the Sugg Cycle optic ensured a longitudinal strip of footpath, with a measured surrounding area, was lit to standards, utilising the flat glass option, with this luminaire, ensured compliance.

The river floods periodically so to ensure a safe operation is maintained a control box has been added to the column bracket and the incoming supply has been raised in the column shaft and the terminations and cut outs are positioned 4.5m above ground, which protects the electrical controls in the event of the river bursting its banks. The cast iron embellishment has been fixed over a heavy duty column leaving the column to be structurally maintained as part of Powys CC column maintenance policy.



## Options



DIMENSIONS	SMALL	MEDIUM	LARGE	BOXED
<b>A Lantern Height</b>	430mm	680mm	770mm	970mm
<b>B Lamp Height</b>	260mm	360mm	435mm	780mm
<b>C Diameter/Width</b>	360mm	590mm	740mm	780mm
<b>E Easy Fit Entry</b>	25mm	39mm	39mm	
<b>Windage Area</b>	0.07m <sup>2</sup>	0.157m <sup>3</sup>	0.23m <sup>2</sup>	0.59 <sup>3</sup>
<b>Weight</b>	6kg	11kg	17kg	20kg

OPTICS	SMALL	MEDIUM	LARGE
<b>Facet Twin Beam</b>	X	X	✓
<b>Small Twin Beam</b>	X	✓	✓
<b>Refractor</b>	✓	✓	✓
<b>E27 Lamp Holder only</b>	✓	✓	✓
<b>E40 Lamp Holder only</b>	X	X	✓

WATTAGES & LAMP TYPES	35W	42W	50W	70W	80W	100W	125W	150W	250W
<b>HPS</b>			✓✓✓	✓✓		✓✓		✓	✓
<b>HQI</b>			✓✓✓	✓✓		✓✓		✓✓	✓
<b>CDM</b>	✓✓✓			✓✓		✓✓		✓✓	
<b>MBF</b>			✓✓✓		✓✓		✓✓		
<b>CFL</b>		✓✓✓							
<b>KEY</b>	✓ Small			✓ Medium			✓ Large		

GLAZING OPTIONS	SMALL	MEDIUM	LARGE
<b>Acrylic</b>	✓	✓	✓
<b>Polycarbonate</b>	✓	✓	✓
<b>Opal Acrylic</b>	✓	✓	✓
<b>Glass Panels</b>	X	X	X
<b>Flat Glass Only</b>	X	X	X