



## Product Features

The Pembroke decorative pendant luminaire is a modern 1930's variation on the traditional pendant lantern. Manufactured from a combination of aluminium spinnings, the fitting is suitable for both traditional and contemporary applications. The luminaire has an IP rating of IP65 and is fitted with a Facet 7 optic. It has clear polycarbonate glazing as standard and is suitable for 5m to 8m column applications, for both decorative and amenity lighting. This fitting is widely used and, with a variety of pendant brackets, can offer a performance solution as the unobstructed glazing improves the light output performance and lighting distribution.

## Features

The Pembroke luminaire has an easy fit pendant fitting. The glazing is released by three stainless steel over centre catches that when released hinges down to reveal the optic which is then available for relamping. The fitting is designed as a pendant luminaire and will cover a variety of mounting heights and lamp wattages.

## Control Gear

The gear is housed in the main luminaire body on a gear tray. All gear is class I wired and a full range of discharge gear can be incorporated within the luminaires. Photo-cells are fitted into the luminaire body; single and two-piece cells are available as standard.

## Options

### Mounting Options

The Pembroke fitting is designed as a pendant luminaire with a steel easy fit coupling to ease installation and ensure the correct orientation of the optic, to the road, is achieved without cable twist.

### Variations

#### Photo cells

Single and two part electronic photocells are available as standard and should be factory fitted to maintain the ingress rating of the fitting.

#### Finish variations

The luminaire canopy and brims are supplied Black Ral 9005. Other colours are available but may be subject to quantity, and prices may differ.

#### Luminaire construction

Aluminium spun top with easy fit coupling to ensure adjustment and security to the column bracket. Aluminium spinnings have recesses for sealing gaskets for the glazing.

## Materials

#### Luminaire

Aluminium spinnings used within the Pembroke provide additional strength to the luminaire. The luminaire comes complete with a combined removable gear and optic tray.

#### Glazing

This unit is fitted with clear polycarbonate glazing, sealed by compression from the hinged brim and over centre catches.

© Sugg Lighting reserve the right to change the construction of their products without prior consultation. This ensures that product developments and continued improvements are maintained.



### Sugg Lighting Limited

Sussex Manor Business Park

Gatwick Road

Crawley

West Sussex

RH10 9GD

England

Telephone: +44 (0)1293 540 111

Fax: +44 (0)1293 540 114

E-mail: [sales@sugglighting.co.uk](mailto:sales@sugglighting.co.uk)

[www.sugglighting.co.uk](http://www.sugglighting.co.uk)



## Typical Specification

Pembroke **Medium** IP65 pendant luminaire: fitted with the easy fit coupling for securing to the bracket with a termination for the incoming supply fitted to the inside of the spun top on the gear tray. The brim is secured by a stainless steel hinge and three over centre catches provide the closure to maintain sealing to IP65. The luminaire is fitted with **Clear polycarbonate** glazing, and is finished in **Black RAL 9005**. It measures **700mm** in diameter and **690mm** in height. The fitting is supplied with gaskets and glands to ensure that the ingress rating is maintained and the luminaire is fitted with the **Facet 7** optic. Supplied with a **70w HPS T** gear package located within the luminaire and an **E27** lampholder positioned for a horizontal tubular clear lamp: Lamp not supplied.

A **one-piece electronic** photocell is fitted to the top of the luminaire enclosure and is factory sealed to ensure the ingress protection of the fitting is not compromised. The luminaire is constructed from aluminium with all fixtures and fittings being galvanised or stainless steel.

Please note that items highlighted in bold can be changed using the options available.

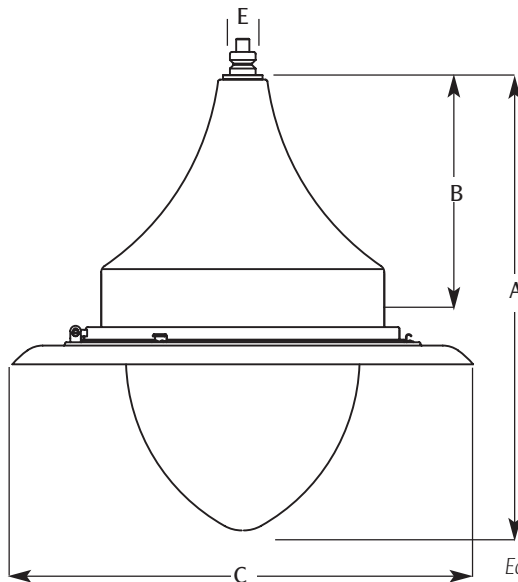
## Applications

This award winning project utilises the Pembroke fittings mounted at 7.5m centrally as a catenary luminaire with additional luminaires at 5m on transmission poles for the footpath lighting.

Two types of light source were used to differentiate the carriageway from the footways, the roads being lit with high pressure sodium, to provide good silhouette vision for the driver, coupled with effective maintenance cycles for the lamp. For the footways white light was used by utilising the 70w CDM lamp which provides good colour rendering which in turn improves ambient light for recognition and reduces the fear of crime for pedestrians. The columns themselves have larger foundations than normal to take the additional strain of the catenary cables to ensure the lantern is suspended at a standard height over the carriageway. These Sugg Lighting specialist optics provide a distribution that meets the exacting design requirements for the two footways, and for the road carriageway. The distribution needed had to have an output equally distributed each side of the luminaire to provide a uniform longitudinal distribution that was not affected by the tree line.



## Options



Easy fit adaptor couplings are available for existing bracketry.  
Bracket dimensions are required.

WATTAGES & LAMP TYPES	35W	42W	50W	70W	80W	100W	125W	150W	250W
HPS			✓✓	✓✓		✓		✓	✓
HQI			✓✓	✓✓		✓✓		✓✓	✓
CDM	✓✓			✓✓		✓✓		✓✓	
MBF			✓✓		✓✓		✓✓		
CFL		✓✓							
KEY	✓ Small			✓ Medium					

OPTICS	SMALL	MEDIUM
Facet Twin Beam	✓	✓
Hellux Sm Twin Beam	✓	✓
Cycle Optic <small>E27 L/holder only</small>	✓	✓
Refractor	✓	✓
E27 Lamp Holder only	✓	✓
E40 Lamp Holder only	✓	✓

DIMENSIONS	SMALL	MEDIUM	BOXED
A Lantern Height	645mm	690mm	710mm
B Lamp Height	345mm	319mm	710mm
C Diameter/Width	590mm	700mm	710mm
E Standard Entry	39mm	39mm	
Windage Area	0.16m <sup>2</sup>	0.23m <sup>2</sup>	0.36m <sup>3</sup>
Weight	7kg	12kg	11kg

GLAZING OPTIONS	SMALL	MEDIUM
Acrylic	✓	✓
Polycarbonate	✓	✓
Opal Acrylic	✓	✓
Glass Panels	✗	✗
Flat Glass Only	✗	✗