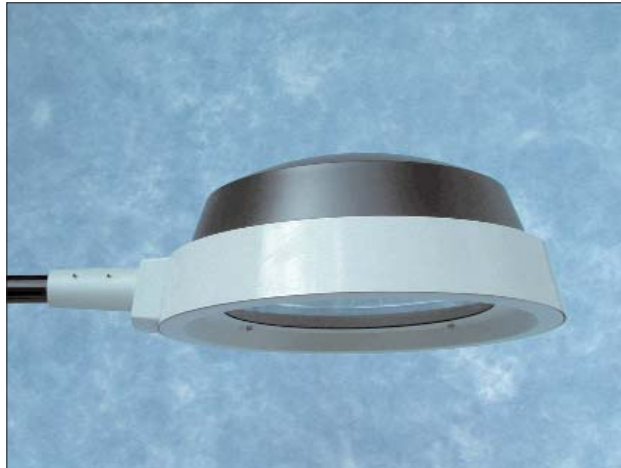


JUNO DRUM



Product Features

The Juno Drum Luminaire has a durable molded GRP body with a sloped profile to offer a design for contemporary applications. The drum shaped top is manufactured from spun aluminium and is secured to the ring with fixed gaskets to maintain the sealing capability. The luminaire has an IP rating of IP66. The flat glass glazing offers a full cut off luminaire that reduces light pollution and sky glow. The glazing is secured to the body of the luminaire by four set screws which are captive within the frame for the glazing.

The unit comes with a die cast side entry mounting as standard to allow a variety of bracket options in a range of tube diameters from 34mm to 42mm, a full range of decorative outreach brackets are available on request. The Juno is fitted with the Facet 7 optic, as standard. This performance road lighting distribution offers design compliance with the new CEN-EN13201 standards and CIBSE LG6 standards. The LOR being 82% with zero upward light, integral gear is secured to a removable tray fixed to the back of the optic allowing total removal for maintenance.

Features

The Juno Drum Luminaire has a body made from GRP with a glanded entry from the cast aluminium bracket coupling into the luminaire body. The glazing is released by unscrewing the four captive set screws which releases the frame for the glazing, this provides access for relamping and gear maintenance. The standard optics supplied are the Facet 7 road lighting optic, or the area and cycle optic which have excellent distribution for amenity lighting; all are mounted on a removable tray. The Juno is supplied as a side entry luminaire enabling multiple units to be used with column brackets. The Juno Drum luminaire offers a variety of wattages and mounting heights.

Control Gear

All gear is class I wired and a full range of discharge gear can be accommodated within the luminaire. The gear is secured to the optic tray for easy removal and ease of maintenance. The photocell is fitted into the top of the luminaire; single and two piece electronic cells are available as standard. These should be factory fitted to ensure the ingress rating of the luminaire is not compromised.

Options

Mounting Options

The Juno Drum is designed to be a side entry luminaire with a bracket entry of 42mm. With a full range of decorative brackets it will cover mounting height from 4m to 8m. With a short outreach plain bracket a direct post mounting option can be accommodated if required.

Variations

Photo cells

Single and two part electronic photocells are available as standard and should be factory fitted to maintain the ingress rating of the fitting.

Finish variations

The luminaire is supplied with a grey GRP ring, the top spinning is finished in a graphite as standard but blue and silver are also available on request. Other colours are available but may be subject to quantity, and prices may differ.

Luminaire construction

GRP reinforced body with recesses for sealing gaskets for the top spinning and the glazing frame, with spun top and cast aluminium side entry finished in silver grey.

Materials

Luminaire

Spun aluminium top with a glass reinforced plastic ring for luminaire enclosure and a die cast side entry mounting.

Glazing

This unit is fitted with flat glass as standard but a dished polycarbonate glazing profile is also available, both are secured into the luminaire by a frame to ensure the ingress protection is maintained.

© Sugg Lighting reserve the right to change the construction of their products without prior consultation. This ensures that product developments and continued improvements are maintained.



Sugg Lighting Limited

Sussex Manor Business Park

Gatwick Road

Crawley

West Sussex

RH10 9GD

England

Telephone +44 (0)1293 540 111

Fax +44 (0)1293 540 114

E-mail sales@sugglighting.co.uk

www.sugglighting.co.uk



2004

Typical Specification

The Juno Drum IP66 Luminaire has a spun aluminium drum top with a GRP body, fitted with a cast aluminium side entry coupling with two sets of two socket-head screws to secure to a column or wall bracket. The luminaire is fitted with flat glass clear glazing secured to the luminaire by four captive set screws in the glazing frame. The luminaire central ring is silver grey GRP and the spinning is finished in **graphite** and measures **760mm** in length, **600mm** in width and is **250mm** height, with a die cast aluminium silver grey bracket entry which has a 42mm internal diameter.

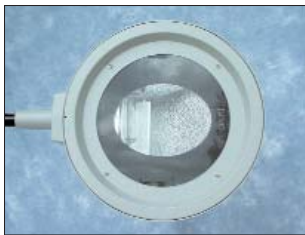
The fitting is supplied with gaskets and glands to ensure that the ingress rating of IP66 is maintained, plus an **Area distribution optic** and a **250w HQI T** gear package with an **E40** lampholder which is positioned for a horizontal tubular clear lamp: Lamp not supplied.

A **one-piece electronic photocell** is fitted to the top of the luminaire enclosure and is factory sealed to ensure the ingress protection of the fitting is not compromised. The luminaire is constructed from GRP and die cast entry and spun aluminium top, with all fixtures and fitting being stainless steel.

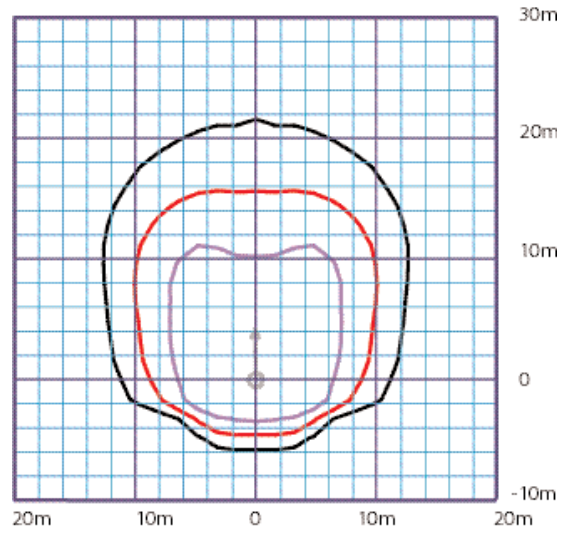
Please note that items highlighted in bold can be changed using the options available.

Optical Choices

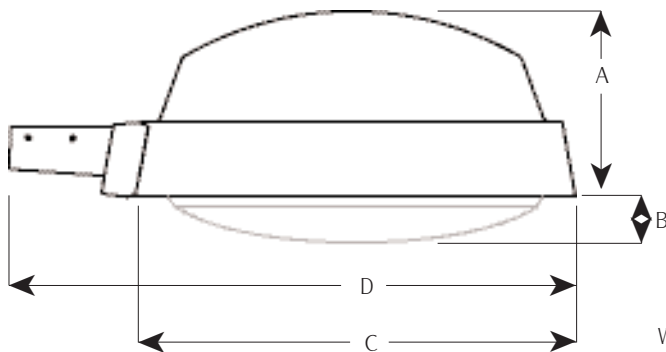
The Juno can be fitted with a choice of high performance optics designed to meet the current lighting standards, CEN-EN 13201, BS5489 and the CIBSE LG6. The Area Optic is purpose designed for the lighting of amenity areas and car parks where the distribution reach is of paramount importance to minimise the number of poles situated in a car park, where locations are limited. The Area Optic will meet the required uniformities with minimum glare and no obtrusive light, or light pollution. For other options see alternative Juno data sheet.



Juno FG -Area Optic -100w HQIT @8m MF=1
Key ■ 2.5 lux ■ 5 lux ■ 10 lux



Options



DIMENSIONS	JUNO DRUM	BOXED
A Lantern Height	250mm	430mm
B Height Glazed	+105mm	
C Diameter/Width	600mm	650mm
D Length	760mm	650mm
E Standard Entry	42mm	
Windage Area	0.14m ²	0.18m ³
Weight	6.8kg	8kg

When dished polycarbonate glazing is used please add dimension B to A for complete product height.

OPTICS	
Facet Twin Beam	✓
Area Reflector	✓
Cycle Optic <small>E27 L/holder only</small>	✓

GLAZING OPTIONS	
Dished Acrylic	✓
Dished Polycarbonate	✓
Flat Glass Only	✓

WATTAGES & LAMP TYPES	35W	42W	50W	70W	80W	100W	125W	150W	250W
HPS			✓	✓		✓		✓	✓
HQI			✓	✓		✓		✓	✓
CDM	✓			✓		✓		✓	✓
MBF			✓		✓		✓		
CFL		✓							