

JUNO CONE



Product Features

The Juno Cone Luminaire has a durable molded GRP body with a sloped profile to offer a design for contemporary applications. The cone shaped top is manufactured from spun aluminium and is secured to the ring with fixed gaskets to maintain the sealing capability. The luminaire has an IP rating of IP66. The flat glass glazing offers a full cut off luminaire that reduces light pollution and sky glow. The glazing is secured to the body of the luminaire by four set screws which are captive within the frame for the glazing.

The unit comes with a die cast side entry mounting as standard to allow a variety of bracket options in a range of tube diameters from 34mm to 42mm, a full range of decorative outreach brackets are available on request. The Juno is fitted with the Facet 7 optic, as standard. This performance road lighting distribution offers design compliance with the new CEN-EN13201 standards and CIBSE LG6 standards. The LOR being 82% with zero upward light, integral gear is secured to a removable tray fixed to the back of the optic allowing total removal for maintenance.

Features

The Juno Cone Luminaire has a body made from GRP with a glanded entry from the cast aluminium bracket coupling into the luminaire body. The glazing is released by unscrewing the four captive set screws which releases the frame for the glazing, this provides access for relamping and gear maintenance. The standard optics supplied are the Facet 7 road lighting optic, or the area and cycle optic distributions for amenity lighting, these are mounted on a removable tray. The Juno Cone is supplied as a side entry luminaire enabling multiple units to be used with column brackets.

Control Gear

All gear is class I wired and a full range of discharge gear can be accommodated within the luminaire. The gear is secured to the optic tray for easy removal and ease of maintenance. The photocell is fitted into the top of the luminaire; single and two piece electronic cells are available as standard. These should be factory fitted to ensure the ingress rating of the luminaire is not compromised.



Sugg Lighting Limited

Sussex Manor Business Park

Gatwick Road

Crawley

West Sussex

RH10 9GD

England



2004

Telephone: +44 (0)1293 540 111

Fax: +44 (0)1293 540 114

E-mail: sales@sugglighting.co.uk

www.sugglighting.co.uk

Options

Mounting Options

The Juno Cone is designed to be a side entry luminaire with a bracket entry of 42mm. A full range of decorative brackets to cover mounting heights from 4m to 8m. A short outreach plain bracket for a direct post mounting option can be accommodated if required.

Variations

Photo cells

Single and two part electronic photocells are available as standard and should be factory fitted to maintain the ingress rating of the fitting.

Finish variations

The luminaire is supplied with a grey GRP ring, the top spinning is finished in a graphite as standard but blue and silver are also available on request. Other colours are available but may be subject to quantity, and prices may differ.

Luminaire construction

GRP reinforced body with recesses for sealing gaskets for the top spinning and the glazing frame, with spun top and cast aluminium side entry finished in silver grey.

Materials

Luminaire

Spun aluminium top with a glass reinforced plastic ring for luminaire enclosure and a die cast side entry mounting.

Glazing

This unit is fitted with flat glass as standard but a dished polycarbonate glazing profile is also available, both are secured into the luminaire by a frame to ensure the ingress protection is maintained.

© Sugg Lighting reserve the right to change the construction of their products without prior consultation. This ensures that product developments and continued improvements are maintained.

Typical Specification

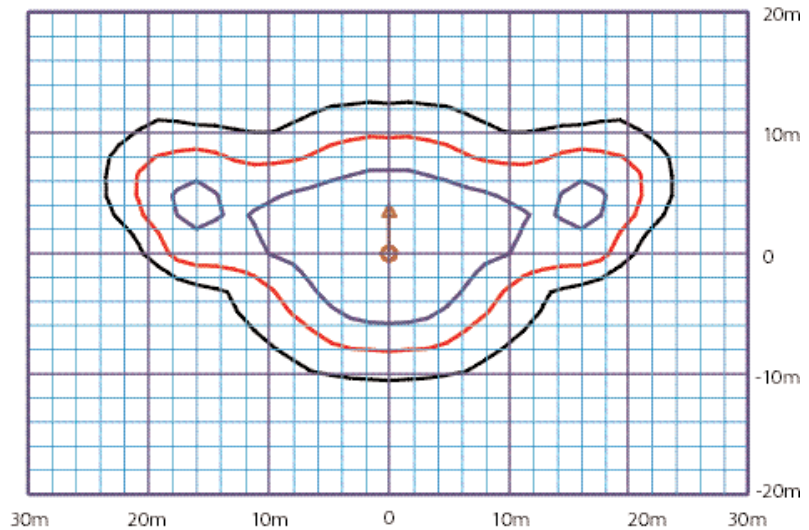
The Juno Cone IP66 luminaire has a spun aluminium cone top with a GRP body, fitted with a cast aluminium side entry coupling with two sets of two socket-head set screws to secure to a column or wall bracket. The luminaire is fitted with flat glass clear glazing secured to the luminaire by four captive set screws in the glazing frame. The luminaire central ring is silver grey GRP and the spinning is finished in **graphite** and measures **760mm** in length, **600mm** in width and is **385mm** in height, with a die cast aluminium silver grey bracket entry which has a 42mm internal diameter. The fitting is supplied with gaskets and glands to ensure that the ingress rating of IP66 is maintained, plus an **Area distribution optic** and a **250w HPS T** gear package with an **E40** lampholder which is positioned for a horizontal tubular clear lamp. Lamp not supplied. A **one-piece electronic** photocell is fitted to the top of the luminaire enclosure and is factory sealed to ensure the ingress protection of the fitting is not compromised. The luminaire is constructed from GRP and die cast entry and spun aluminium top, with all fixtures and fittings being stainless steel.

Please note that items highlighted in bold can be changed using the options available

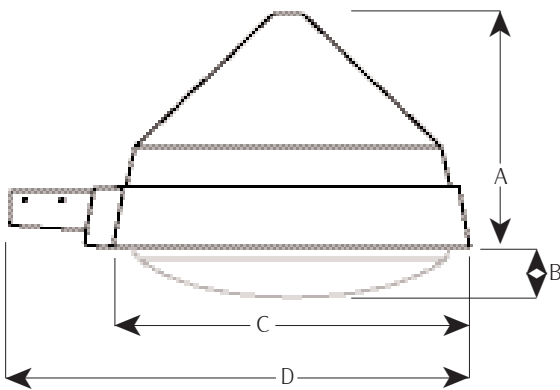
Optical Choices

The Juno is fitted with a choice of high performance optics designed to meet the current lighting standards, CEN-EN13201, BS5489 and the CIBSE LG6. The cycle optic is purpose designed for the lighting of amenity areas, car parks and cycle paths where the distribution spacing is of paramount importance to maximize the spacing of poles, as the light is distributed each side of the mounting position - it can also be used for catenary lighting. The Cycle Optic will meet the required uniformities with minimum glare and no obtrusive light or light pollution. For alternative options see other Juno data sheets.

Juno CGP -CY Optic - 100w HQIT @ 8m
 Key ■ 2.5 lux ■ 5 lux ■ 10



Options



DIMENSIONS	JUNO CONE	BOXED
A Lantern Height	385mm	430mm
B Height Glazed	+105mm	
C Diameter/Width	600mm	650mm
D Length	760mm	650mm
E Standard Entry	42mm	
Windage Area	0.15m ²	0.18m ³
Weight	6.8kg	8kg

OPTICS	
Facet Twin Beam	✓
Area Reflector	✓
Cycle Optic <small>E27 L/holder only</small>	✓

When dished polycarbonate glazing is used please add dimension B to A for complete product height.

GLAZING OPTIONS	
Dished Acrylic	✓
Dished Polycarbonate	✓
Flat Glass Only	✓

WATTAGES & LAMP TYPES	35W	42W	50W	70W	80W	100W	125W	150W	250W
HPS			✓	✓		✓		✓	✓
HQI			✓	✓		✓		✓	✓
CDM	✓			✓		✓		✓	✓
MBF			✓		✓		✓		
CFL		✓							