

JERSEY WALL BRACKET



Product Features

This stylish wall mounted bracket provides excellent illumination for building entrances. It is produced with a die cast aluminium body and supplied with an etched glazing tube to give a defused method of illumination. This luminaire will accommodate a range of compact fluorescent lamps with or without integral gear, for ease of maintenance, and provides a lamp colour remarkably different from the general nightscape.

Features

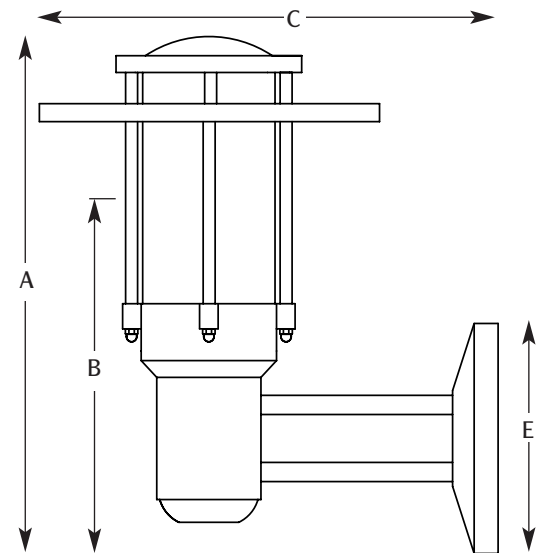
With a circular mounting plate this wall bracket offers a short outreach from the wall which can be an advantage in narrow locations. The die cast aluminium body is treated and powder coated for a durable finish. The luminaire is wired to class 1 and is produced in accordance with EN 60598 regulations for compliance. The lamp is protected with an acrylic diffuser which is sealed with silicone gaskets.

Control Gear

The torch is designed for a range of compact fluorescent lamps and lamp holders, with or without integral gear and can provide a range of lamp wattages from 18w through to 57w PLT sources. These lamps will now provide an RA of 82 and 12,000 hours life providing an effective method of illumination with a minimum of maintenance.

DIMENSIONS	JERSEY	BOXED
A Lantern Height	430mm	450mm
B Lamp Height	245mm	400mm
C Diameter/Width	383mm	400mm
E Standard Entry	192mm	
Weight	13kg	0.07 ^{m3}
Windage	0.56m ²	

WATTAGES & LAMP TYPES	9W	12W	20W	23W	26W	32W	42W	57W
CFL Integral	✓	✓	✓	✓				
CFL Remote					✓	✓	✓	✓



Sugg Lighting Limited

Sussex Manor Business Park

Gatwick Road

Crawley

West Sussex

RH10 9GD

England

Telephone: +44 (0)1293 540 111

Fax: +44 (0)1293 540 114

E-mail: sales@sugglighting.co.uk

www.sugglighting.co.uk



2008

Options

Mounting Options

Wall mounting only, with central fixing point on the circular back plate.

Variations

As standard the torch is finished in black, dark grey or light grey other RAL colours are available upon request but prices may be subject to minimum paint purchase costs

Materials

Manufactured from die cast aluminium with all fixings and fittings manufactured from stainless steel, for durability. The glazing is acrylic and sealed into the body with gaskets.

Typical Specification

The Jersey Wall Bracket luminaire is manufactured from cast aluminium with a circular wall mounting plate with a 192mm diameter. The luminaire measures 284mm in diameter with a projection of 383mm, the overall height being 430mm. The luminaire is supplied with etched acrylic glazing and an **E27** lampholder for a **23w compact fluorescent lamp with integral gear built into the lamp base**. (Lamp not supplied).

The luminaire is supplied in a **light grey finish**, and is engineered to be durable in all weather conditions.

Please note that items highlighted in bold should be changed using the options available.

© Sugg Lighting reserve the right to change the construction of their products without prior consultation. This ensures that product developments and continued improvements are maintained.