

# LED FLOODLIGHT



## Product Features

This small LED floodlight is extremely powerful and is very useful as an additional lighting source for feature lighting small statues and building facades. It is also ideal for the lighting of banners and signs, see illustrations for more information on beam spreads.

The benefit of the unit is the miniature nature of the floodlight itself measuring 90mm by 50mm and only weighing 0.36Kg making this unit ideal for locating on existing structures for localised floodlighting applications.

## Controls

The driver for this unit is small and compact and can be situated up to 20m away from the floodlight, this is ideal for locating within column bases or adjacent lanterns.

## Options

Mounted by a single point with a 10mm clearance hole for securing the unit to a bracket, or structure. The aluminium bracket is robust and the floodlight can be tightened by means of the two allen screws fitted into the floodlight body.

Other colour options are available upon request as well as colour changing LEDs please discuss the option you require with you Sales Engineer.



Sugg Lighting Limited



2004

Sussex Manor Business Park

Gatwick Road

Crawley

West Sussex

RH10 9GD

England

Telephone: +44 (0)1293 540 111

Fax: +44 (0)1293 540 114

E-mail: [sales@sugglighting.co.uk](mailto:sales@sugglighting.co.uk)

[www.sugglighting.co.uk](http://www.sugglighting.co.uk)

## Materials

The bracket and floodlight are machined from a block of aluminium providing a robust unit with ideal heat dissipation qualities.

## Typical Specification

Sugg LED IP63 floodlight with a potted LED lighting unit providing an asymmetric beam pattern of 12 degrees x 50 degrees. The cast aluminium body is supplied in a **natural aluminium** colour with stainless steel fixings. A clearance hole of 10mm is provided for securing the units fixings not supplied.

The LEDs are pre-wired into the unit. The floodlight is supplied with **2m of cable** which is mounted remote to the unit and requires a water tight enclosure.

## Options

Cable: length cut to order

Colour: aluminium or black



© Sugg Lighting reserve the right to change the construction of their products without prior consultation. This ensures that product developments and continued improvements are maintained.

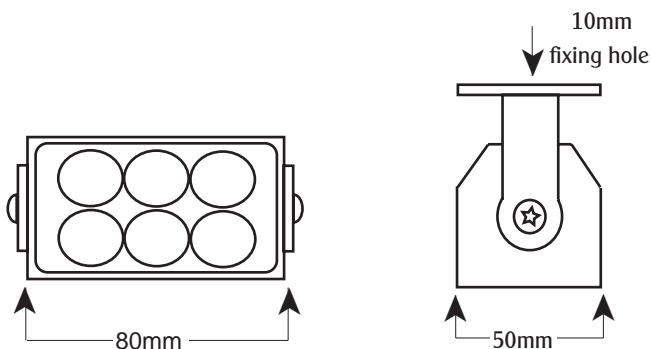
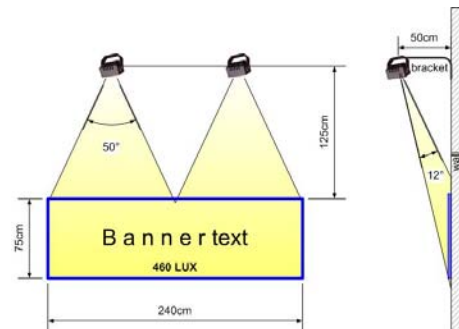
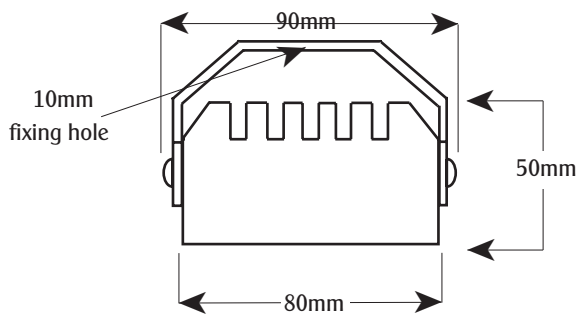
# LED FLOODLIGHT

## CrystalColor 3

Model	Watt	Luxeon	Color	Angle-Candela			
				12°	30°	50°	12°x50°
CC3.003	3	I	Warm White	960 cd	210 cd	90 cd	290 cd
CC3.003	3	I	Cool White	2.160 cd	480 cd	190 cd	640 cd
CC3.009	3	I	Red	2.120 cd	470 cd	190 cd	630 cd
CC3.009	3	I	Orange	2.640 cd	580 cd	240 cd	780 cd
CC3.009	3	I	Amber	1.730 cd	380 cd	160 cd	510 cd
CC3.009	3	I	Green	2.550 cd	560 cd	230 cd	750 cd
CC3.009	3	I	Green/Blue	2.160 cd	480 cd	190 cd	640 cd
CC3.009	3	I	Blue	770 cd	170 cd	70 cd	230 cd
CC3.009	9	III	Cool White	3.080 cd	680 cd	270 cd	910 cd
CC3.009	9	III	Red	5.380 cd	1.180 cd	480 cd	1.580 cd
CC3.009	9	III	Orange	7.300 cd	1.600 cd	640 cd	2.150 cd
CC3.009	9	III	Amber	4.230 cd	930 cd	370 cd	1.250 cd
CC3.009	9	III	Green	2.460 cd	540 cd	220 cd	730 cd
CC3.009	9	III	Green/Blue	2.460 cd	540 cd	220 cd	730 cd
CC3.009	9	III	Blue	1.200 cd	270 cd	110 cd	360 cd
CC3.015	15	V	Green	7.680 cd	1.680 cd	680 cd	2.260 cd
CC3.015	15	V	Green/Blue	7.680 cd	1.680 cd	680 cd	2.260 cd
CC3.015	15	V	Blue	3.700 cd	810 cd	330 cd	1.090 cd

## CrystalColor 5

Model	Watt	Luxeon	Color	Angle-Candela			
				12°	30°	50°	12°x50°
CC5.024	24	I	Warm White	7.680 cd	1.680 cd	680 cd	2.260 cd
CC5.024	20	I	Cool White	14.400 cd	3.150 cd	1.260 cd	4.230 cd
CC5.060	60	III	Cool White	20.480 cd	4.480 cd	1.800 cd	6.020 cd
CC5.048	48	III	Red	28.680 cd	6.280 cd	2.510 cd	8.430 cd
CC5.048	48	III	Orange	38.920 cd	8.520 cd	3.410 cd	11.440 cd
CC5.048	48	III	Amber	22.530 cd	4.930 cd	1.980 cd	6.620 cd
CC5.000	60	V	Green	20.700 cd	4.700 cd	1.900 cd	6.300 cd



Schematic lighting vertical wall banners

